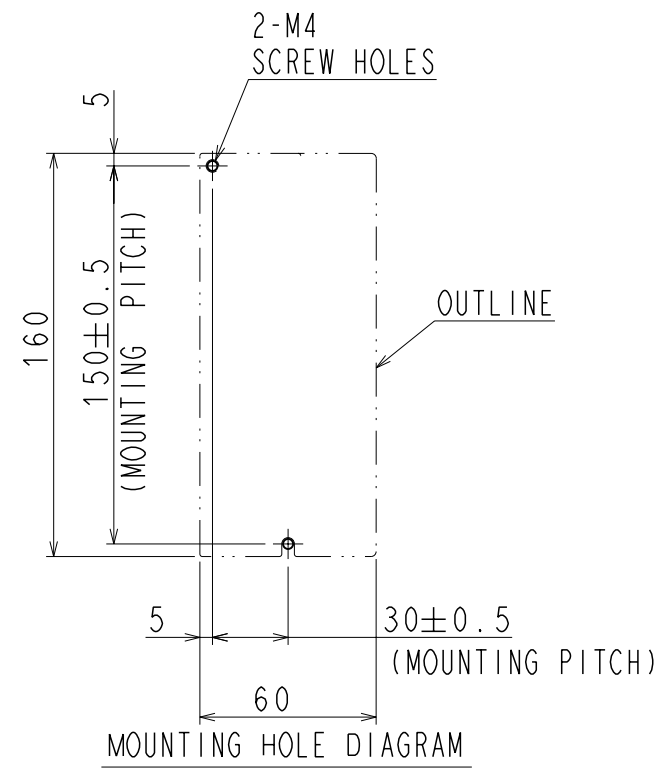
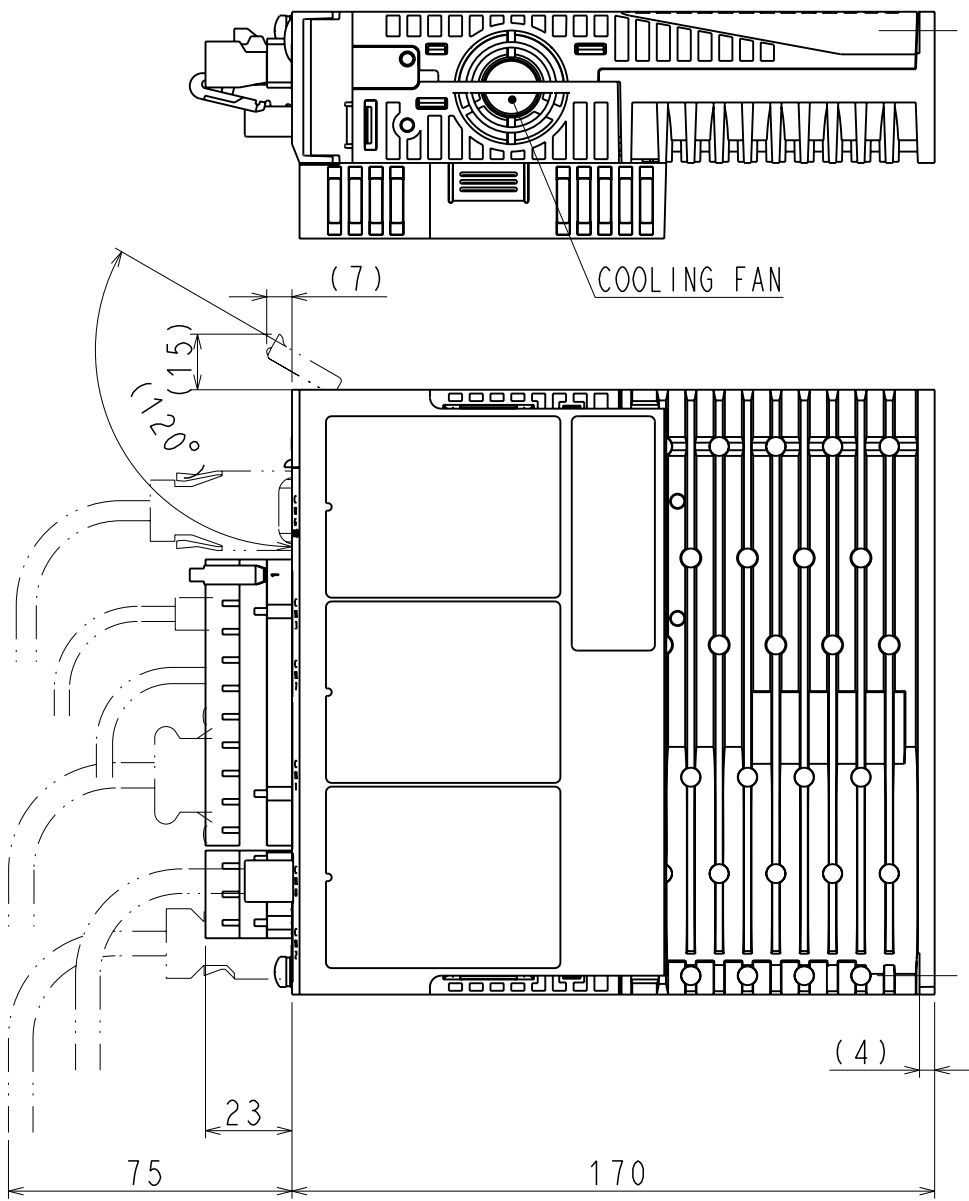
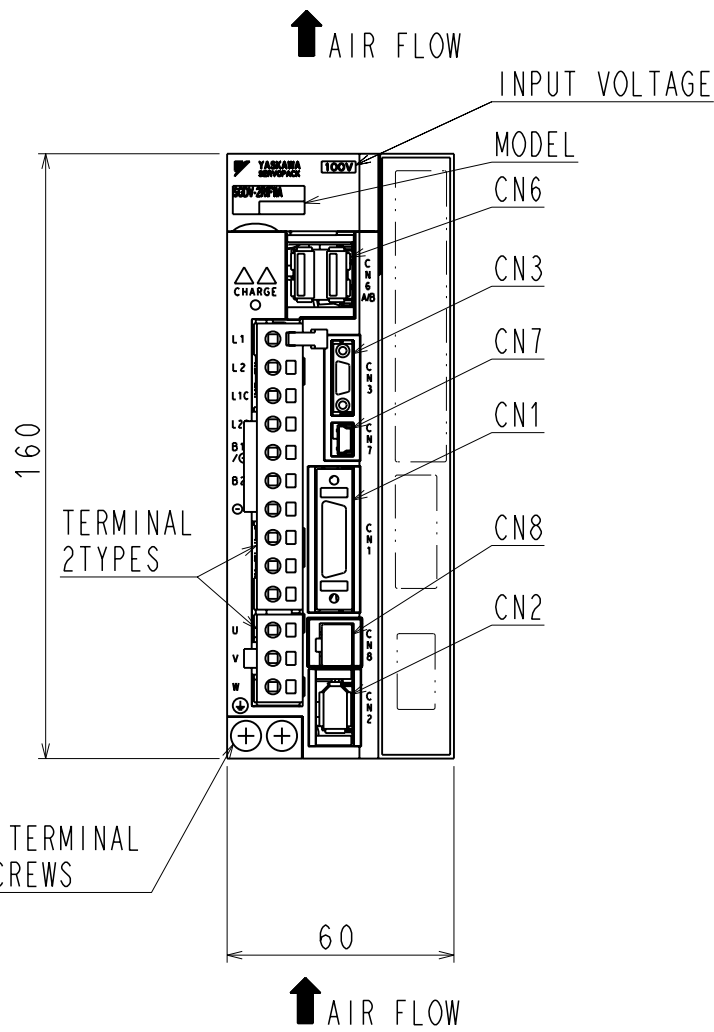
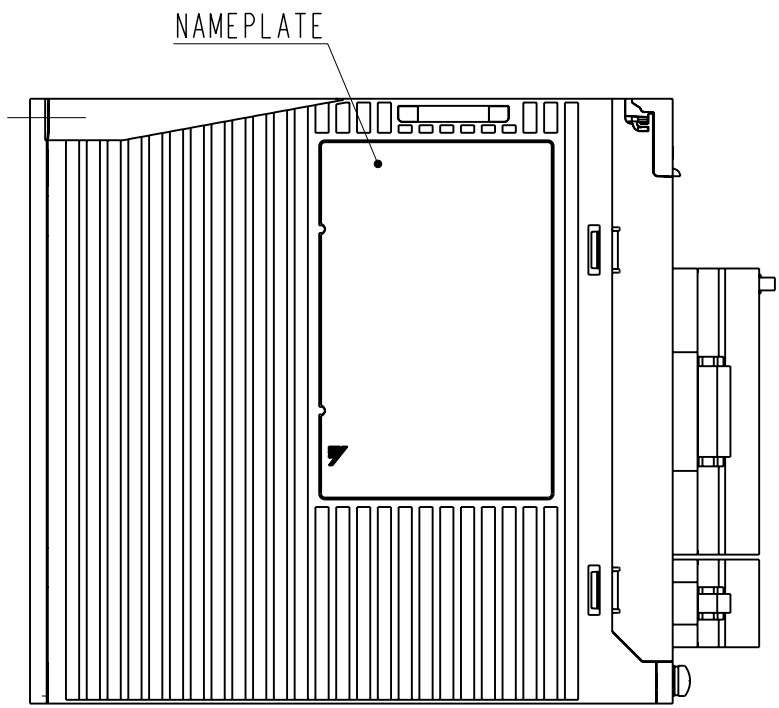


DWG. NO. 900-027-745-2/2

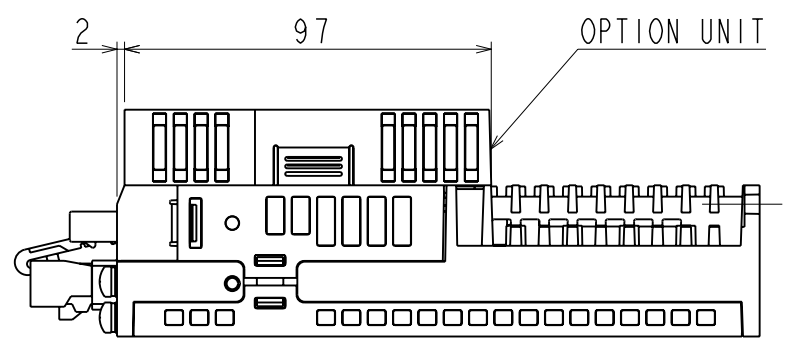
(NOTE1) This drawing is the base-mounted type.  
 (NOTE2) Refer to the USER'S MANUAL for a standard for installation.  
 (NOTE3) Refer to the following drawing for the connector of the option part.

SERVOPACK MODEL	OUTLINE DRAWING OF OPTION UNIT	OPTION CARD
SGDV□□□F□□A□□□□□□001	900-018-923	FULLY CLOSED I/F CARD



PART No.	MODEL	NUMBER OF CONTACTS	MANUFACTURER
CN1	10226-52A2PL	26	SUMITOMO 3M LIMITED
CN2	53984-0671	6	MOLEX JAPAN CO., LTD.
CN3	HDR-EC14LFDN-SLE-PLUS	14	HONDA TSUSHIN KOGYO CO., LTD.
CN6	1903815-1	8	Tyco Electronics AMP K.K.
CN7	MNC23-5K5H00	5	ADVANCED-CONNECTEK INC.
CN8	1981080-1	8	Tyco Electronics AMP K.K.

The above or the equivalent is used.



APPROX. MASS: 1.1kg  
 DIMENSION IN mm

REFERENCE ONLY

**YASKAWA**  
 株式会社 安川電機

SCALE 1 : 2

TITLE OUTLINE DRAWING OF SERVOPACK  
 SGDVR70/R90/2R1F□□A\*  
 (□□:11,15)(\*:OPTION CODE)

DWG. NO. **900-027-745**  
 REV. 2/2

SIZE A3